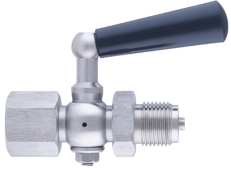


Pressure Accessories - 3 way Pressure Cock Valves



Used where pressure gauge is intended for controlling purpose and the value not needed to be seen continuously.

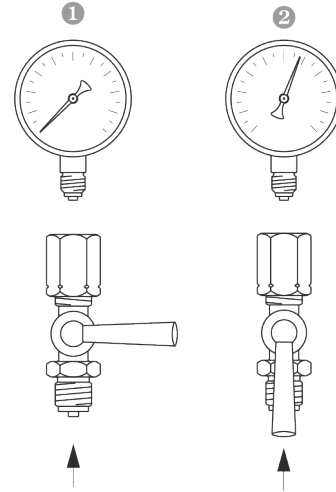
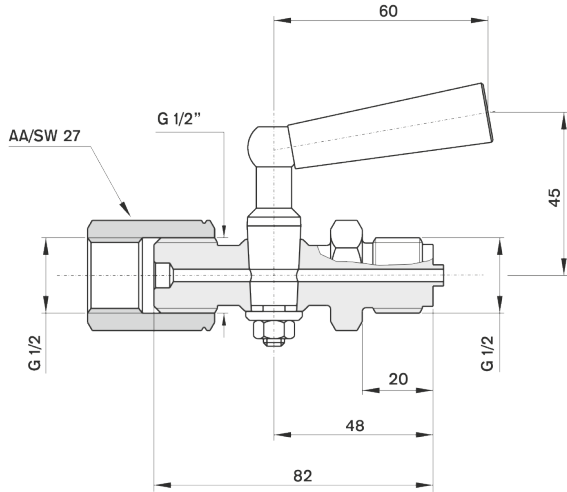
Usage Properties

| | |
|---------------------------|--|
| Operating Pressure (max.) | · 64 bar |
| Operating Temperature | · +50°C |
| Storage Temperature | · -40 ... +70 °C |
| Applications | · If the medium is aggressive, all stainless steel types should be used. |

Constructive Properties

| | |
|-------------------------|-----------------------------|
| Case | · Stainless Steel AISI-316L |
| Nut / Clamp Connections | · Stainless Steel AISI-316L |
| Inlet Connections | · G 1/2" |
| Outlet Connections | · G 1/2" |
| Max. Pressure | · 64 bar |

Technical Drawings - 3 way Pressure Cock Valves



1042 50 /