



Pressure Accessories - Pressure Syphons

Syphons are used to protect pressure gauges against fluid fluctuations and to prevent over heating.



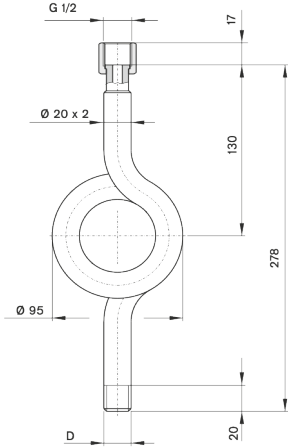
Usage Properties

Operating Pressure (max.)	· 100 bar
Operating Temperature	· -40/+150°C
Storage Temperature	· -40 ... +70 °C
Applications	· If the medium is aggressive, all stainless steel types should be used.

Constructive Properties

Mounting Type	· Vertical
Case	· Stainless Steel AISI-316L
Nut / Clamp Connections	· Stainless Steel AISI-316L
Inlet Connections	· G 1/2"
Outlet Connections	· G 1/2"
Pipe Ø	· 20mm.

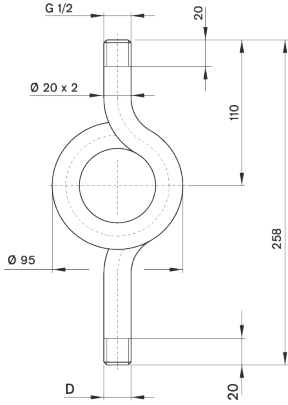
Technical Drawings - Pressure Syphons



“ O ” Tipi Somun / Rakor Bağlantılı

Malzeme	D	gr.	Model#
Karbon Çeliği	G 1/2”	585	1047 04 04
Karbon Çeliği	1/2” NPT	660	1047 04 03
Paslanmaz Çelik	G 1/2”	585	1047 20 04
Paslanmaz Çelik	1/2” NPT	660	1047 20 24

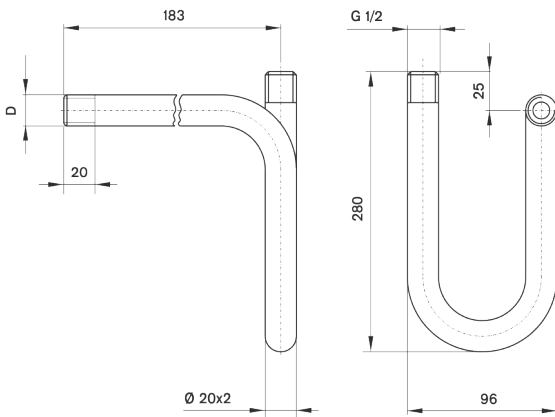
1047-O / Dikey



“ O ” Tipi Rakor / Rakor Bağlantılı

Malzeme	D	gr.	Model#
Karbon Çeliği	G 1/2”	445	1047 900 404
Paslanmaz Çelik	G 1/2”	445	1047 040 407

1047-O / Dikey

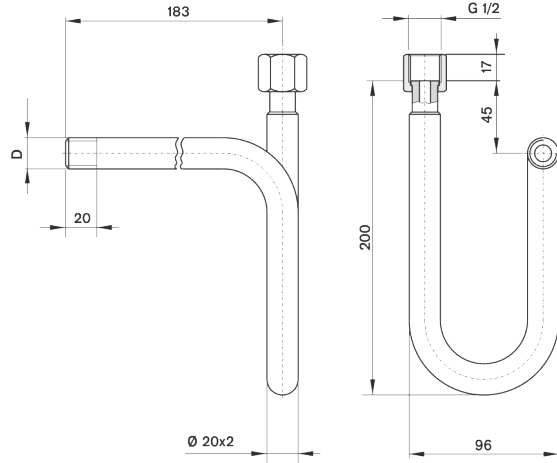


“ U ” Tipi Rakor / Rakor Bağlantılı

Malzeme	D	gr.	Model #
Karbon Çeliği	G 1/2”	480	1046 900 404
Paslanmaz Çelik	G 1/2”	480	1046 040 407

1046-U /

Technical Drawings - Pressure Syphons



“ U ” Tipi Somun / Rakor Bağlantılı

Malzeme	D	9F	Model #
Karbon Çeliği	G 1/2”	515	1046 04 04
Paslanmaz Çelik	G 1/2”	515	1046 20 04

1046 -U /