

Diaphragm Seal Systems - DS 0564



- All diaphragm groups are manufactured from AISI 316L.
- Highly suitable for pressure measurement of viscous fluids or crystallisable mediums.
- Can be used in vibrating environments or with pulsating pressures.
- Filling Liquid: Glycerin , Silicon oil or Organic oil

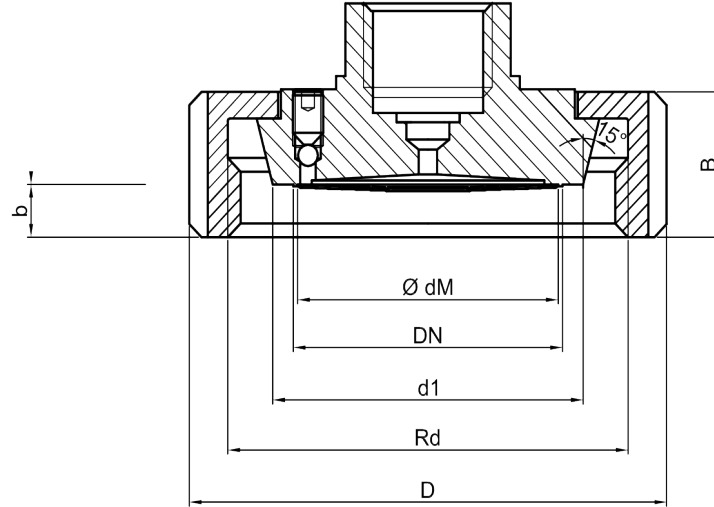


Usage Properties

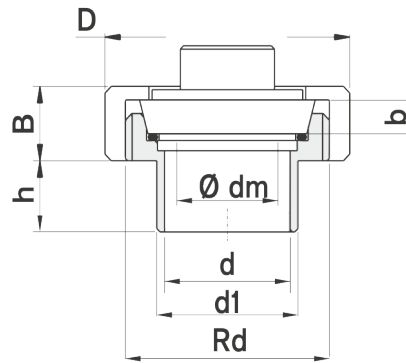
Fluid Temperature	· Maximum + 150 °C
Operating Pressure (max.)	· Must not exceed full scale.
Conformity	· EN 837 - 1 · 3-A · EHDG
Accuracy Class	· CL 1.0
Ambient Temperature	· 10 ... + 40 °C
Storage Temperature	· - 20 ... + 70 °C

Constructive Properties

Process Connection	· Flange Connection
Instrument Connection	· G 1/2"
Scale Unit	· bar
Scale Range (PN)	· 0/0,6 · 0/2,5 · 0/4 · 0/6 · 0/10 · 0/16 · 0/25 · 0/40
Diaphragm Body	· Stainless Steel AISI-316L
Diaphragm	· Stainless Steel AISI-316L
Nominal Diameter	· Ø100 mm · Ø160 mm
Sealing	· Viton
Filling Liquid	· FDA Approved Oil
Flange Size	· DN 25 · · DN 40 · DN 50 · DN 80



Somun Bağlantılı Konik Yataklamalı PN 40 bar								
DN	PN	$\text{Ø } dm$	$d1$	D	b	B	Rd	Model #
25	40	28	39	63	8	21	52x1/6"	DS 0564 25
32	40	34	45	70	8	21	58x1/6"	DS 0564 32
40	40	42	51	78	8	22	65x1/6"	DS 0564 40
50	25	46	68,5	92	8	23	78x1/6"	DS 0564 50
80	25	51	93,6	127	13	29	110x1/4"	DS 0564 80



Kaynak Boyunlu Rakorlu Konik Yataklamalı PN 40 bar									
DN	$\text{Ø } dm$	d	$d1$	h	D	b	B	Rd	Model #
25	28	25	30	21	63	10	21	52x1/6"	DS 0564 27
32	34	32	37		70			58x1/6"	DS 0564 34
40	42	40	45		78		22	65x1/6"	DS 0564 42
50	46	50	56	22	92	11	23	78x1/6"	DS 0564 52
80	51	81	87	24	127	12	29	110x1/4"	DS 0564 82