

## Diaphragm Seal Systems - DS 0579



- All diaphragm groups are manufactured from AISI 316L.
- Highly suitable for pressure measurement of viscous fluids or crystallisable mediums.
- Can be used in vibrating environments or with pulsating pressures.
- Filling Liquid: Glycerin , Silicon oil or Organic oil

Industry Sector: Petro-chemical plants, Mining industry, Machinery Manufacturing, Hydraulics/Pneumatics and Food industry.

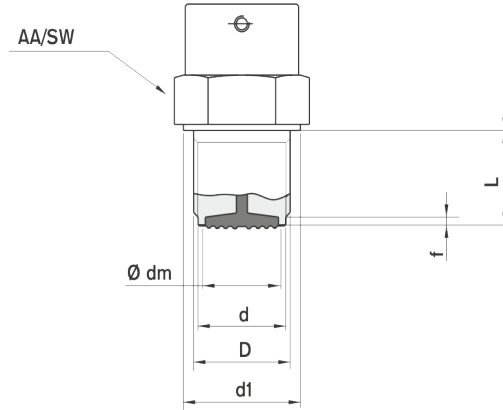


### Usage Properties

Fluid Temperature	· Maximum + 150 °C
Accuracy Class	· CL 1.0
Ambient Temperature	· -25°C...+85°C
Storage Temperature	· - 20 ... + 70 °C

### Constructive Properties

Process Connection	· G 1/2" · G 3/4"
Instrument Connection	· G 1/2"
Scale Unit	· bar
Scale Range (PN)	· 0/100 · 0/160 · 0/250 · 0/400 · 0/600 · 0 - 1000
Nominal Diameter	· Ø100 mm · Ø160 mm
Sealing	· Viton
Filling Liquid	· Silicon Oil



**Rakor Bağlantılı Diyafram Grubu : DN 24 PN 600 bar**

D	Ø dm	d	d1	L	f	AA/SW	Model #
G 1/2" A	17	18	26	24	2	30	DS 0579 04
G 3/4" A	23	24	32	24	2	32	DS 0579 05
G 1" A	28	29	40,5	32	2	41	DS 0579 06

D	Ø dm	d	d1	L	f	AA/SW	Model #
G 1/2" A	17	18	26	24	2	30	DS 0579 34
G 3/4" A	23	24	32	24	2	32	DS 0579 35