



Ball Valves - General Purpose (Female-Male)

- Ball Valves, allows adjusting flow of fluid manually or turning the circulation off.

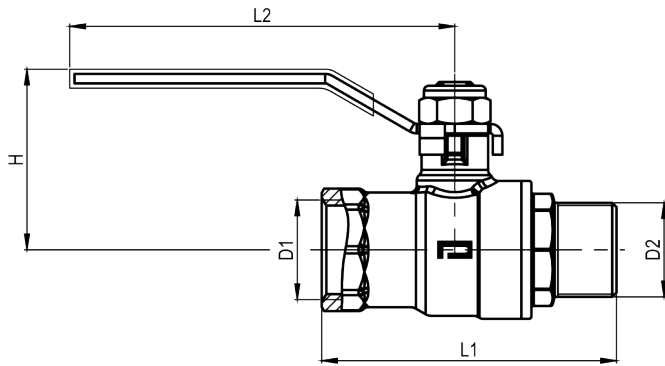
Usage Properties

Conformity	· TSE CEN / TS 13547
Fluid Temperature	· 80 °C
Storage Temperature	· -40 ... +70 °C
Max.Pressure	· PN 25

Constructive Properties

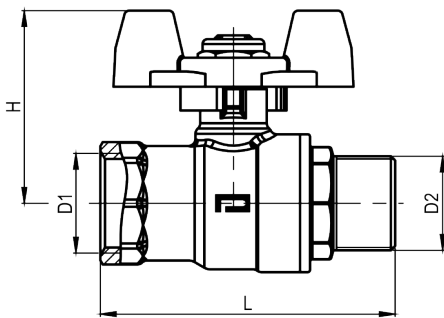
Case	· Brass - Nickel Plated
Connection	· G 3/8" B · G 1/2" B · G 3/4" · G 1" · G 1 1/4"
Sphere	· Brass Chrome Plated
Handle	· Steel
Ball Seats	· PTFE
Shaft	· Brass Nickel Coated

Technical Drawings - General Purpose (Female-Male)



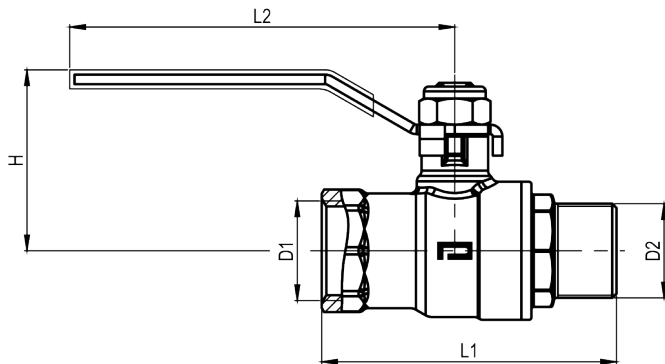
PN16					
KOD	D1	D2	L1	L2	H
092791	G 1/2"	G 1/2"	61	97	44
093091	G 3/4"	G 3/4"	68	97	46,5

092791 /



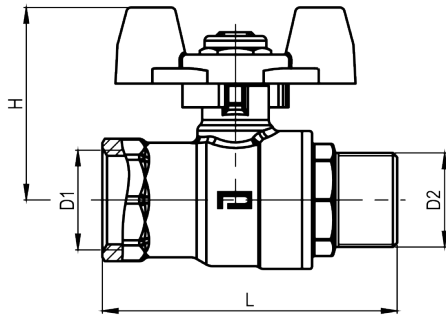
PN25					
KOD	Color	D1	D2	L	H
0927-11	Red	G 1/2"	G 1/2"	62	41
0927-12	Blue	G 1/2"	G 1/2"	62	41
0930-11	Red	G 3/4"	G 3/4"	72	44
0930-12	Blue	G 3/4"	G 3/4"	72	44

0927-11 /



PN25					
KOD	D1	D2	L1	L2	H
092701	G 1/2"	G 1/2"	62	97	44
093001	G 3/4"	G 3/4"	72	97	46,5

092701 /

Technical Drawings - General Purpose (Female-Male)


PN16					
KOD	■ / ■	D1	D2	L	H
09279-11	■ / ■	G 1/2"	G 1/2"	61	39,5
09279-12	■ / ■	G 1/2"	G 1/2"	61	39,5
09309-11	■ / ■	G 3/4"	G 3/4"	68	44
09309-12	■ / ■	G 3/4"	G 3/4"	68	44

09279-11 /