



Ball Valves - Mini Ball Valves

- Ball Valves, allows adjusting flow of fluid manually or turning the circulation off.

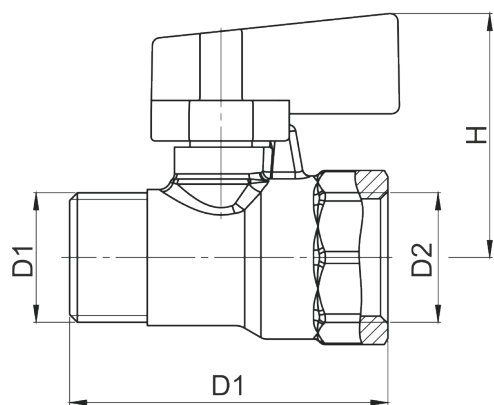
Usage Properties

Fluid Temperature	· 80 °C
Conformity	· TS EN 13828
Storage Temperature	· -40 ... +70 °C
Max.Pressure	· PN 16

Constructive Properties

Case	· Brass - Nickel Plated
Connection	· G 1/2" B
Sphere	· Brass Chrome Plated
Handle	· ZAMAK
Ball Seats	· PTFE
Shaft	· Brass

Technical Drawings - Mini Ball Valves



KOD	■ / ■	D1	D2	L	H
0943-21	■	G 1/4"	G 1/4"	41	31,5
0943-22	■	G 1/4"	G 1/4"	41	31,5
0944-21	■	G 3/8"	G 3/8"	41	31,5
0944-22	■	G 3/8"	G 3/8"	41	31,5
0945-21	■	G 1/2"	G 1/2"	43,5	32
0945-22	■	G 1/2"	G 1/2"	43,5	32
0946-21	■	G 3/4"	G 3/4"	49,5	33
0946-22	■	G 3/4"	G 3/4"	49,5	33

0943012200 /