



Solar Systems - Solar Emniyet Ventili

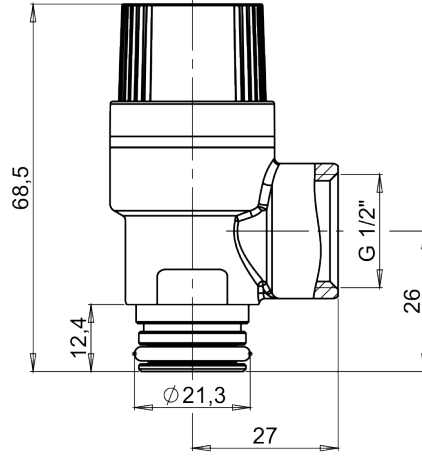
Usage Properties

Fluid Temperature	· 130 °C
Conformity	· CE 0408
Storage Temperature	· -20 ... +60 °C
Pressure Range	· 2,5 bar · 3 bar · 4 bar · 6 bar
Max.Pressure	· PN 10

Constructive Properties

Case	· Brass
Discharge Connection	· G 1/2" B
Knob	· ABS
Connection	· G 1/2" B · G 3/4"
Tension Spring	· Spring Steel

Technical Drawings - Solar Emniyet Ventili



0989600280 /