



Pressure Accessories - Pulsation Dampner

Used for reducing the pressure pulsations resulting from pressure supply.



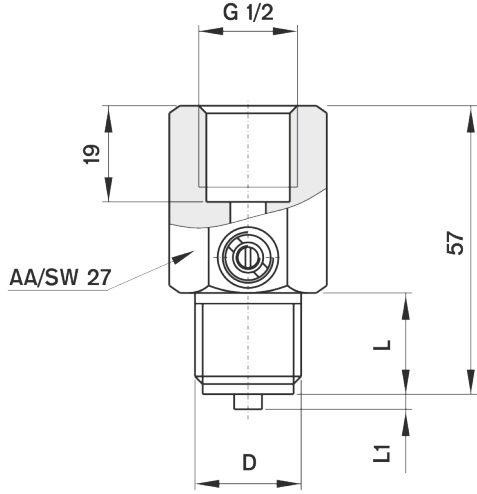
Usage Properties

Operating Pressure (max.)	· 400 bar
Operating Temperature	· -40/+150°C
Storage Temperature	· -40 ... +70 °C
Applications	· If the medium is aggressive, all stainless steel types should be used.

Constructive Properties

Mounting Type	· Vertical / Lateral
Case	· Stainless Steel AISI-316L
Inlet Connections	· G 1/2"
Outlet Connections	· G 1/2"

Technical Drawings - Pulsation Dampner



Rakor Bağlantılı PN 250 PN 400 bar

Malzeme		PN	D	L	L1	gr.	Model#
Gövde	Sızdırmazlık Elemanları						
Pirinç	NBR 70	250	G 1/2"	20	3	175	1045 04 04
			1/2" NPT				
Paslanmaz Çelik	VA 75	400	G 1/2"	20	3	190	1045 24 04
			1/2" NPT				

1045 /