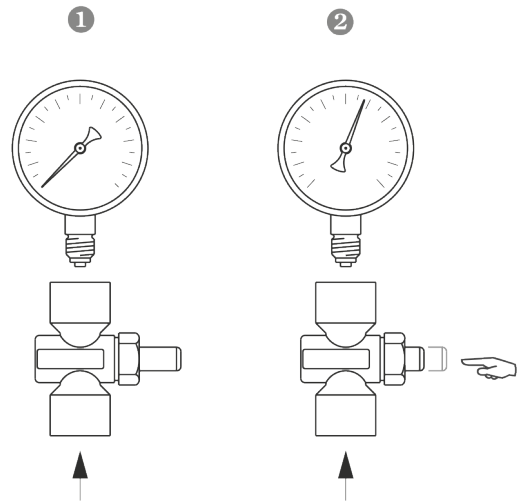
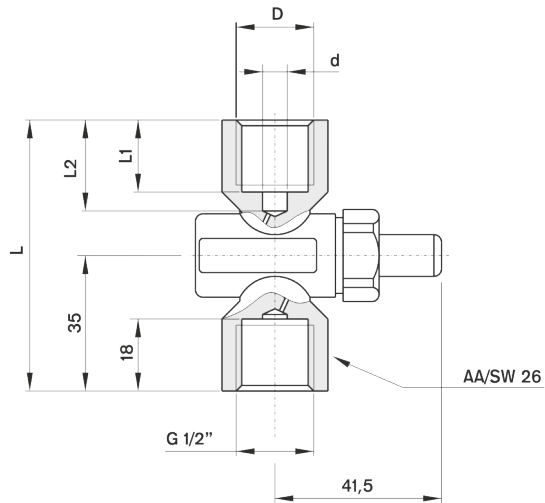


Technical Drawings - Push-Button Pressure Cock Valves



1040 /

PN 4 bar

D	L1	d	L2	L	gr.	Model #
G 1/4"	12	5,5	16,5	70	250	1040 04 02
G 1/2"	18	7	23,5	70	245	1040 04 04

1040 /