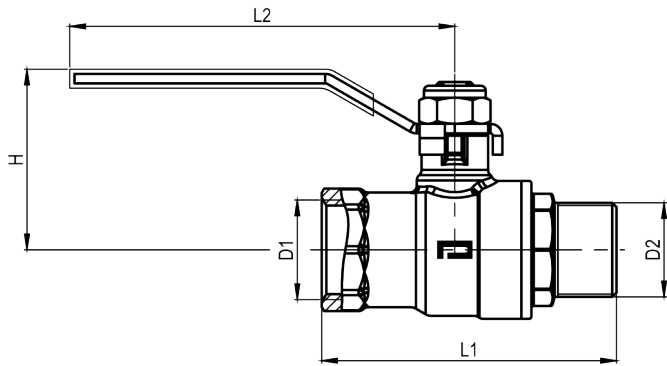
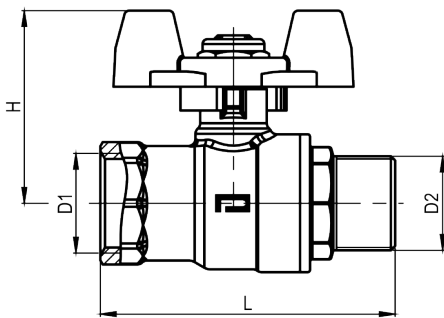


Technical Drawings - General Purpose (Female-Male)



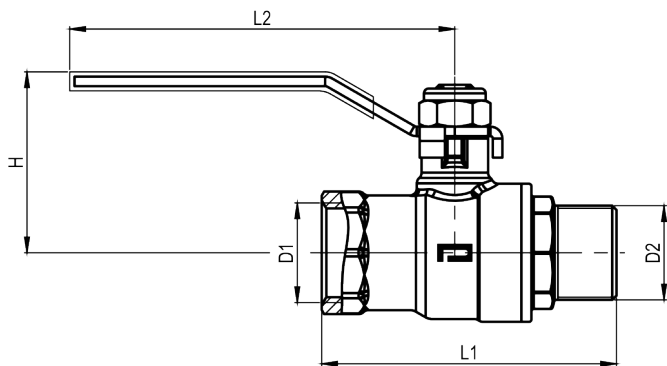
| PN16 | | | | | |
|--------|--------|--------|----|----|------|
| KOD | D1 | D2 | L1 | L2 | H |
| 092791 | G 1/2" | G 1/2" | 61 | 97 | 44 |
| 093091 | G 3/4" | G 3/4" | 68 | 97 | 46,5 |

092791 /



| PN25 | | | | | |
|---------|-------|--------|--------|----|----|
| KOD | Color | D1 | D2 | L | H |
| 0927-11 | Red | G 1/2" | G 1/2" | 62 | 41 |
| 0927-12 | Blue | G 1/2" | G 1/2" | 62 | 41 |
| 0930-11 | Red | G 3/4" | G 3/4" | 72 | 44 |
| 0930-12 | Blue | G 3/4" | G 3/4" | 72 | 44 |

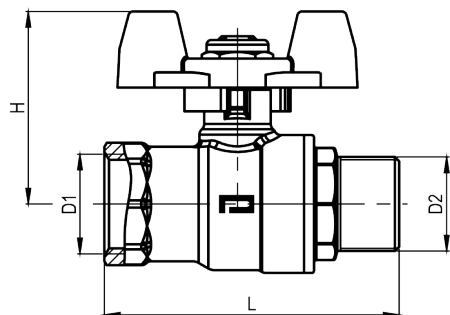
0927-11 /



| PN25 | | | | | |
|--------|--------|--------|----|----|------|
| KOD | D1 | D2 | L1 | L2 | H |
| 092701 | G 1/2" | G 1/2" | 62 | 97 | 44 |
| 093001 | G 3/4" | G 3/4" | 72 | 97 | 46,5 |

092701 /

Technical Drawings - General Purpose (Female-Male)



| PN16 | | | | | |
|----------|-------|--------|--------|----|------|
| KOD | ■ / ■ | D1 | D2 | L | H |
| 09279-11 | ■ / ■ | G 1/2" | G 1/2" | 61 | 39,5 |
| 09279-12 | ■ / ■ | G 1/2" | G 1/2" | 61 | 39,5 |
| 09309-11 | ■ / ■ | G 3/4" | G 3/4" | 68 | 44 |
| 09309-12 | ■ / ■ | G 3/4" | G 3/4" | 68 | 44 |

09279-11 /