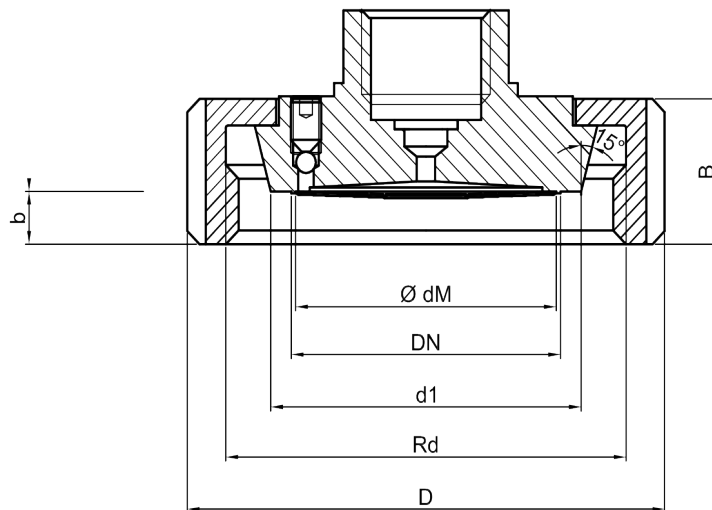
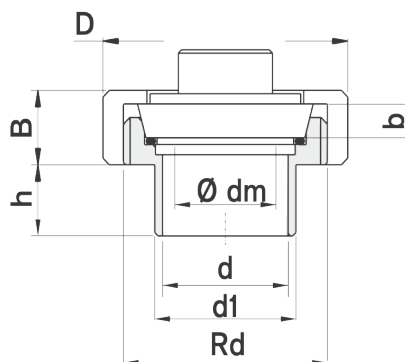


**Immagine di disegno tecnico - DS 0564 Collegamenti con dadi/morsetti**



| Somun Bağlantılı Konik Yataklamalı PN 40 bar |    |      |      |     |    |    |          |            |
|--|----|------|------|-----|----|----|----------|------------|
| DN   | PN | Ø dm | d1   | D   | b  | B  | Rd       | Model #    |
| 25   | 40 | 28   | 39   | 63  | 8  | 21 | 52x1/6"  | DS 0564 25 |
| 32   | 40 | 34   | 45   | 70  | 8  | 21 | 58x1/6"  | DS 0564 32 |
| 40   | 40 | 42   | 51   | 78  | 8  | 22 | 65x1/6"  | DS 0564 40 |
| 50   | 25 | 46   | 68,5 | 92  | 8  | 23 | 78x1/6"  | DS 0564 50 |
| 80   | 25 | 51   | 93,6 | 127 | 13 | 29 | 110x1/4" | DS 0564 80 |



| Kaynak Boyunlu Rakorlu Konik Yataklamalı PN 40 bar |      |    |    |    |     |    |    |          |            |
|--|------|----|----|----|-----|----|----|----------|------------|
| DN   | Ø dm | d  | d1 | h  | D   | b  | B  | Rd       | Model #    |
| 25   | 28   | 25 | 30 | 21 | 63  | 10 | 21 | 52x1/6"  | DS 0564 27 |
| 32   | 34   | 32 | 37 |    | 70  |    |    | 58x1/6"  | DS 0564 34 |
| 40   | 42   | 40 | 45 |    | 78  |    | 22 | 65x1/6"  | DS 0564 42 |
| 50   | 46   | 50 | 56 | 22 | 92  | 11 | 23 | 78x1/6"  | DS 0564 52 |
| 80   | 51   | 81 | 87 | 24 | 127 | 12 | 29 | 110x1/4" | DS 0564 82 |